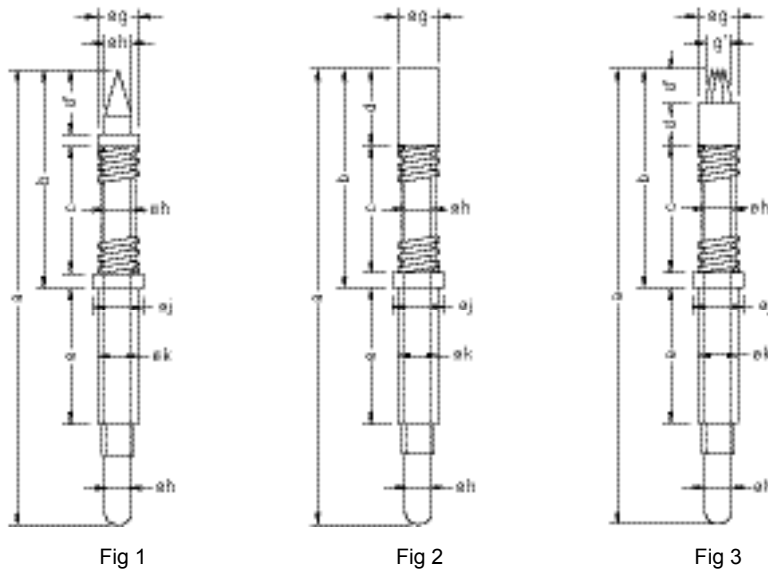


# Spring Contact Probe NCP10 - NCP250B

Request our CD-ROM catalog for more details about our products.



NCP10 - NCP250B (Spring contact probe)

Durability of bushing : more than 1 million strokes  
(2mm stroke, 60 strokes / 60 seconds)

Thermal-endurance : 100°C or below

Stated durability of the bushing is a result of our internal testing. It is not guaranteed and your actual results may vary.

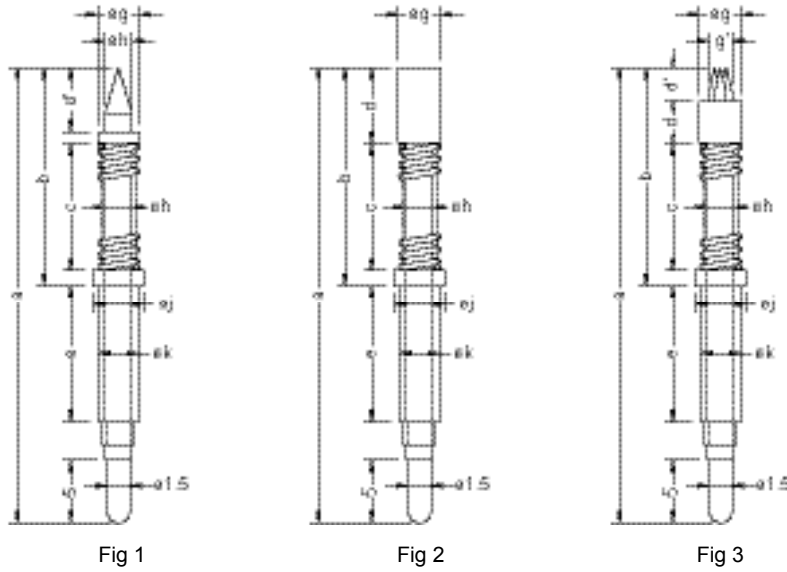
## NCP10 - NCP250B

													(mm)	
Fig	Type	Configuration of Tip	a	b	c	d	d'	e	g	g'	h	j	k	
1	NCP10	A, R, T	32	18	12.5	-	4.9	9	1	-	0.6	1.05	0.85	
2		D, E90, F, G90, GX, H, K, KX, L				5.4	-		1.2					
1	NCP15<1.5>	A, C, CX, R, T	32	18	12.5	-	4.9	9	1.2	-	0.8	1.25	1.05	
2		D, E90, F, G90, GX, H, K, KX				5.4	-		1.5					
3		J				3.9	1.5		1.2	0.6				
2	NCP15<1.2>	D, E90, F, G90, GX, H, K, KX	32	18	12.5	5.4	-	9	1.2	-	0.8	1.25	1.05	
1	NCP18	A, C, CX, R	32	18	12.5	-	4.9	9	1.5	-	1	1.5	1.25	
2		D, E90, F, G90, GX, H, K, KX				5.4	-		1.8					
3		J				3.9	1.5		1.65	0.8				
1	NCP11	A, R	37	23	17.5	-	4.9	9	1	-	0.6	1.05	0.85	
2		D, E90, F, G90, GX, H, K, KX, L				5.4	-							
1	NCP11S	A, R	37	23	12.4	-	10	9	1	-	0.6	1.05	0.85	
1	NCP12	A, CX, R, T	37	23	17.5	-	4.9	9	1.2	-	0.8	1.25	1.05	
2		D, E90, F, G90, GX, H, K, KX				5.4	-							
1	NCP12S	A, C, R	37	23	12.4	-	10	9	1.2	-	0.8	1.25	1.05	
1	NCP20	A, C, CX, R, T	37	23	17.5	-	4.9	9	1.5	-	1	1.5	1.25	
2		D, E90, F, G90, GX, H, K, KX, L				5.4	-							
3		J				3.9	1.5		1.65	0.8				
1	NCP20S	A, C, CX, R, T	37	23	12.4	-	10	9	1.5	-	1	1.5	1.25	
1	NCP25	A, CX, R	37	23	17.45	-	4.4	9	2	-	1.3	2	1.65	
2		D, E90, F, G90, GX, H, K, KX,			5.4	-								
3		J			14.45	5	3.4		2.5	1.4				
1	NCP25S	A, CX, R	37	23	11.85	-	10	9	2	-	1.3	2	1.65	
1	NCP250	A, B, CX, R	48.5	28.5	20	-	7.35	15	2	-	1.3	2.3	1.65	
2		D, E90, F, G90, GX, H, K, KX				8.35	-		2.3					
3		J				4.95	3.4		2.5	1.4				
1	NCP250B	A, B, CX, R	48.5	28.5	19.15	-	7.35	15	2	-	1.3	2.8	2.4	
2		D, E90, F, G90, GX, H, K, KX				8.35	-		2.3					
3		J				4.95	3.4		2.5	1.4				

For the specifications of these probes and tip configurations,  
see "Illustrated Specifications, NCP series" and "List of Tip Configurations".

# Spring Contact Probe NCP300 - NCP300BA

Request our CD-ROM catalog for more details about our products.



NCP300 - NCP300BA (Spring contact probe)  
 Durability of bushing : more than 1 million strokes  
 (2mm stroke, 60 strokes / 60 seconds)  
 Thermal-endurance : 100°C or below

Stated durability of the bushing is a result of our internal testing. It is not guaranteed and your actual results may vary.

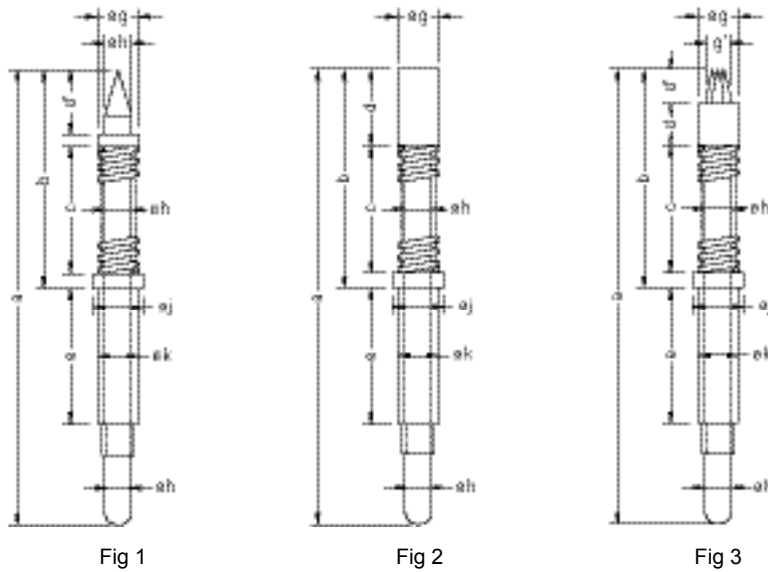
NCP300 - NCP300BA

Fig	Type	Configuration of Tip	a	b	c	d	d'	e	g	g'	h	j	k
1	NCP300	A, B*, CX, R	50.5	28.5	20	-	7.35	15	3	-	2 (1.3)*	3	2.4
2		D, E90, F, G90, GX, H, K, KX				8.35	-						
3		J				4.95	3.4			3.5			
1	NCP300B	A, B*, CX, R	50.5	28.5	18.65	-	7.35	15	3	-	2 (1.3)*	4	3.2
2		D, E90, F, G90, GX, H, K, KX				8.35	-						
3		J				4.95	3.4			3.5			
1	NCP300BA	A, B*, CX, R	50.5	28.5	18.65	-	7.35	15	3	-	2 (1.3)*	3.5	2.9
2		D, E90, F, G90, GX, H, K, KX				8.35	-						
3		J				4.95	3.4			3.5			

For the specifications of these probes and tip configurations, see "Illustrated Specifications, NCP series" and "List of Tip Configurations".

# Probe with Long-Shaft Bushing NCP10LP - NCP20LB

Request our CD-ROM catalog for more details about our products.



NCP10LP - NCP20LB (Spring contact probe)  
 Durability of bushing : more than 1 million strokes  
 (2mm stroke, 60 strokes / 60 seconds)  
 Thermal-endurance : 100°C or below

Stated durability of the bushing is a result of our internal testing. It is not guaranteed and your actual results may vary.

NCP10LP - NCP20LB

\* Type Having the Same Dimension of 'b' (mm)

Fig	Type	*	Configuration of Tip	a	b	c	d	d'	e	g	g'	h	j	k
1	NCP10LP13	CP10	A, R, T	32	14	8.5	-	4.9	13	1	-	0.6	1.05	0.85
2			D, E90, F, G90, GX, H, K, KX, L				5.4	-		1.2	-			
1	NCP15<1.5>LP13	CP12	A, C, CX, R, T	32	14	8.5	-	4.9	13	1.2	-	0.8	1.25	1.05
2			D, E90, F, G,90, GX, H, K, KX				5.4	-		1.5	-			
3			J				3.9	1.5		1.2	0.6			
2	NCP15<1.2>LP13	CP12	D, E90, F, G90, GX, H, K, KX	32	14	8.5	5.4	-	13	1.2	-	0.8	1.25	1.05
1	NCP18LP13	CP15 CP20	A, C, CX, R	32	14	8.5	-	4.9	13	1.5	-	1	1.5	1.25
2			D, E90, F, G90, GX, H, K, KX				5.4	-		1.8	-			
3			J				3.9	1.5		1.65	0.8			
1	NCP11LP14	NCP10	A, R	37	18	12.5	-	4.9	14	1	-	0.6	1.05	0.85
2			D, E90, F, G90, GX, H, K, KX, L				5.4	-						
1	NCP11LP18	CP10	A, R	37	14	8.5	-	4.9	18	1	-	0.6	1.05	0.85
2			D, E90, F, G90, GX, H, K, KX, L				5.4	-						
1	NCP12LP14	NCP15	A, CX, R, T	37	18	12.5	-	4.9	14	1.2	-	0.8	1.25	1.05
2			D, E90, F, G90, GX, H, K, KX				5.4	-						
1	NCP12LP18	CP12	A, CX, R, T	37	14	8.5	-	4.9	18	1.2	-	0.8	1.25	1.05
2			D, E90, F, G90, GX, H, K, KX, L				5.4	-						
1	NCP20LP14	NCP18	A, C, CX, R, T	37	18	12.5	-	4.9	14	1.5	-	1	1.5	1.25
2			D, E90, F, G90, GX, H, K, KX, L				5.4	-						
3			J				3.9	1.5		1.65	0.8			
1	NCP20LP18	CP15 CP20	A, C, CX, R, T	37	14	8.5	-	4.9	18	1.5	-	1	1.5	1.25
2			D, E90, F, G90, GX, H, K, KX, L				5.4	-						
3			J				3.9	1.5		1.65	0.8			
1	NCP20LB14.5	NCP18	A, C, CX, R, T	37	18	12.1	-	4.9	14	1.5	-	1	2.2	2
2			D, E90, F, G90, GX, H, K, KX, L				5.4	-						
3			J				3.9	1.5		1.65	0.8			
1	NCP20LB18.5	CP20B	A, C, CX, R, T	37	14	8.1	-	4.9	18	1.5	-	1	2.2	2
2			D, E90, F, G90, GX, H, K, KX, L				5.4	-						
3			J				3.9	1.5		1.65	0.8			

For the specifications of these probes and tip configurations, see "Illustrated Specifications, NCPLP/LB series" and "List of Tip Configurations".

# Probe with Long-Shaft Bushing NCP25LB - NCP250LP

Request our CD-ROM catalog for more details about our products.

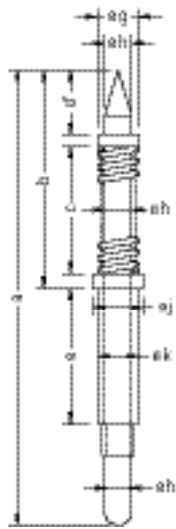


Fig 1

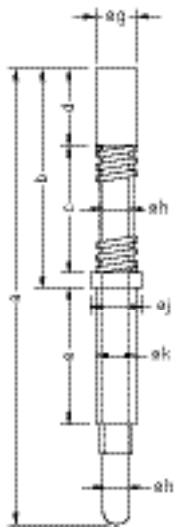


Fig 2

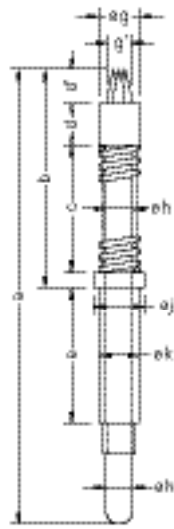


Fig 3

NCP25LB - NCP250LP (Spring contact probe)  
 Durability of bushing : more than 1 million strokes  
 (2mm stroke, 60 strokes / 60 seconds)  
 Thermal-endurance : 100°C or below

Stated durability of the bushing is a result of our internal testing. It is not guaranteed and your actual results may vary.

NCP25LB - NCP250LP

\* Type Having the Same Dimension of 'b' (mm)

Fig	Type	*	Configuration of Tip	a	b	c	d	d'	e	g	g'	h	j	k
1	NCP25LB15	-	A, CX, R	37	18	11.6	-	4.4	14	2	-	1.3	2.8	2.4
2			D, E90, F, G90, GX, H, K, KX				5.4	-						
3			J				8.6	5						
1	NCP25LP14	-	A, CX, R	37	18	12.45	-	4.4	14	2	-	1.3	2	1.65
2			D, E90, F, G90, GX, H, K, KX				5.4	-						
3			J				9.45	5						
1	NCP25LP18	CP25	A, CX, R	37	14	8.45	-	4.4	18	2	-	1.3	2	1.65
2			D, E90, F, G90, GX, H, K, KX				5.4	-						
1	NCP250LB21	-	A, B, CX, R	48.5	23.5	14.15	-	7.35	20	2	-	1.3	2.8	2.4
2			D, E90, F, G90, GX, H, K, KX				8.35	-						
3			J				4.95	3.4						
1	NCP250LP20	-	A, B, CX, R	48.5	23.5	15	-	7.35	20	2	-	1.3	2	1.65
2			D, E90, F, G90, GX, H, K, KX				8.35	-						
3			J				4.95	3.4						

For the specifications of these probes and tip configurations, see "Illustrated Specifications, NCPLP/LB series" and "List of Tip Configurations".

# Probe with Long-Shaft Bushing NCP300LB - NCP300LP

Request our CD-ROM catalog for more details about our products.

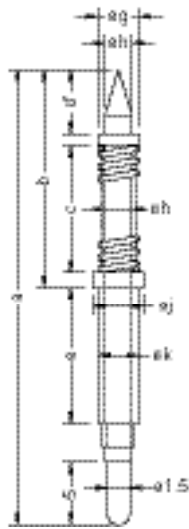


Fig 1

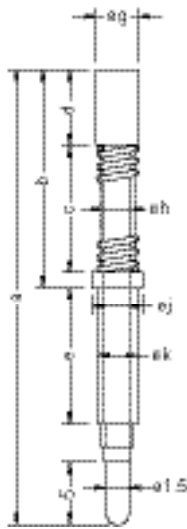


Fig 2

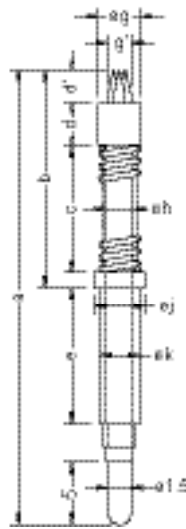


Fig 3

NCP300LB - NCP300LP (Spring contact probe)  
 Durability of bushing : more than 1 million strokes  
 (2mm stroke, 60 strokes / 60 seconds)  
 Thermal-endurance : 100°C or below

Stated durability of the bushing is a result of our internal testing. It is not guaranteed and your actual results may vary.

NCP300LB - NCP300LP

\* Type Having the Same Dimension of 'b' (mm)

Fig	Type	*	Configuration of Tip	a	b	c	d	d'	e	g	g'	h	j	k
1	NCP300LB21	CP40	A, B, CX, R	50.5	23.5	14.15	-	7.35	20	3	-	2	4	3.2
2			D, E90, F, G90, GX, H, K, KX				8.35	-			1.8			
3			J				4.95	3.4			2.1			
			J7					3.5						
1	NCP300LBA21	CP40	A, B, CX, R	50.5	23.5	14.15	-	7.35	20	3	-	2	3.5	2.9
2			D, E90, F, G90, GX, H, K, KX				8.35	-			1.8			
3			J				4.95	3.4			2.1			
			J7					3.5						
1	NCP300LP20	CP40S	A, B, CX, R	50.5	23.5	15	-	7.35	20	3	-	2	3	2.4
2			D, E90, F, G90, GX, H, K, KX				8.35	-			1.8			
3			J				4.95	3.4			2.1			
			J7					3.5						

For the specifications of these probes and tip configurations, see "Illustrated Specifications, NCPLP/LB series" and "List of Tip Configurations".