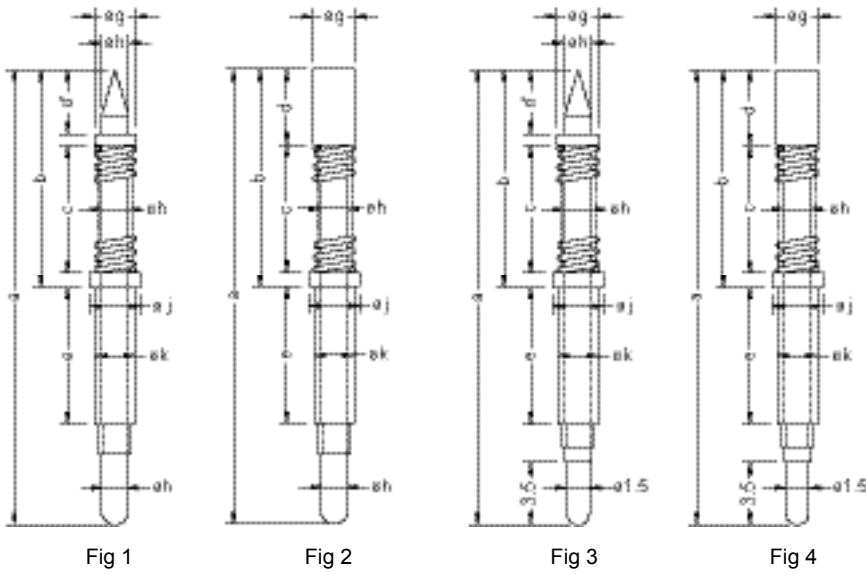


Mini-Probe CPS10 - CPS35

Request our CD-ROM catalog for more details about our products.



CPS10 - CPS30

CPS35

CPS10 - CPS35 (Spring contact probe)
 Durability of bushing : more than 1 million strokes
 (1mm stroke, 60 strokes / 60 seconds)
 Thermal-endurance : below 100°C

Stated durability of the bushing is a result of our internal testing. It is not guaranteed and your actual results may vary.

Fig	Type	Configuration of Tip	a	b	c	d	d'	e	g	h	j	k
1	CPS10	A, R, T	18	9	6.4	-	2	5	1	0.6	1.05	0.85
2		D, E90, F, GX, K, KX			5.4	3.5	-					
1	CPS12	A, CX, R, T	19	9	6.4	-	2	5	1.2	0.8	1.25	1.05
2		D, E90, F, GX, KX			2.5	-						
2	CPS15	D, E90, F, GX, KX	19	9	6.4	2.5	-	5	1.5	1	1.5	1.25
1	CPS20	A, CX, R, T	19	9	6.4	-	2	5	1.5	1	1.5	1.25
2		D, E90, F, GX, KX			2.5	-	1.8					
1	CPS25	A, CX, R, T	19	9	6.35	-	2	5	2	1.3	2	1.65
2		D, E90, F, GX, KX			2.5	-						
1	CPS30	A, CX, R	19	9	6	-	2	5	2	1.3	3	2.4
2		D, E90, F, GX, KX			2.5	-	2.5					
3	CPS35	A, CX, R	19	9	6	-	2	5	3	2	3.5	2.9
4		D, E90, F, GX, KX			2.5	-						

For the specifications of these probes and tip configurations, see "Illustrated Specifications, CPS series" and "List of Tip Configurations".